

BAILEY Z BAR

Bailey Metal Product's Z Bar is manufactured to meet all applicable Canadian Codes & Standards. Material thickness and metallic coatings conform to the requirements of ASTM A653/A653M and ASTM A1003.

Bailey's Z Bars are ideal for many construction applications such as continuous framing, insulation reinforcement, slides, track and roofing.

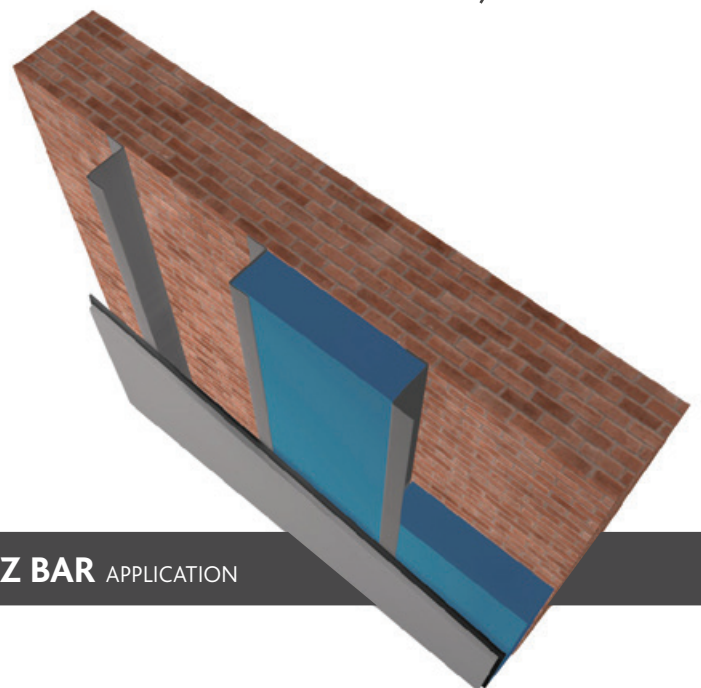
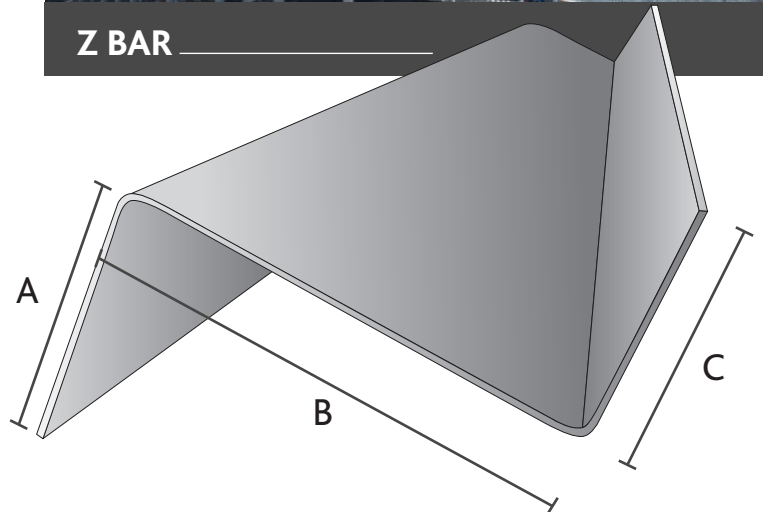
Z Bar design easily accommodates rigid insulation and flanges provide ample space for screw attachment.

Z BAR

- The Z Bar is available in .018" , .033" , .043" , .054" , thickness of steel
- Top (A) and bottom (C) flanges are available in lengths of 1" , 1 ¼" , 1 ½" , 1 ¾" , 2"
- The center web (B) is available in lengths of 1" , 1 ½" , 2" , 2 ½" , 3" , 3 ½" , 4" , 4 ½" , 5" , 5 ½" , 6"
- Z Bars are available in lengths of up to 20'. (10' standard)
- Z Bars are available in G40, G60 coating. (G90 available upon special request)
- 33 ksi yield strength for .033" and .043"
- 50 ksi yield strength will be specified for .054"
- **Custom lengths and sizes available on request**



Z BAR



Z BAR APPLICATION



ZBAR05IN191000

sales@bmp-group.com | www.bmp-group.com

BAILEY[®]
METAL PRODUCTS LIMITED

MONTREAL
800-263-3455

commande@bmp-group.com

TORONTO
800-668-2154

tor-orders@bmp-group.com

CALGARY
800-665-2013

cal-orders@bmp-group.com

EDMONTON
800-563-1751

edm-orders@bmp-group.com

VANCOUVER
800-818-2666

van-orders@bmp-group.com

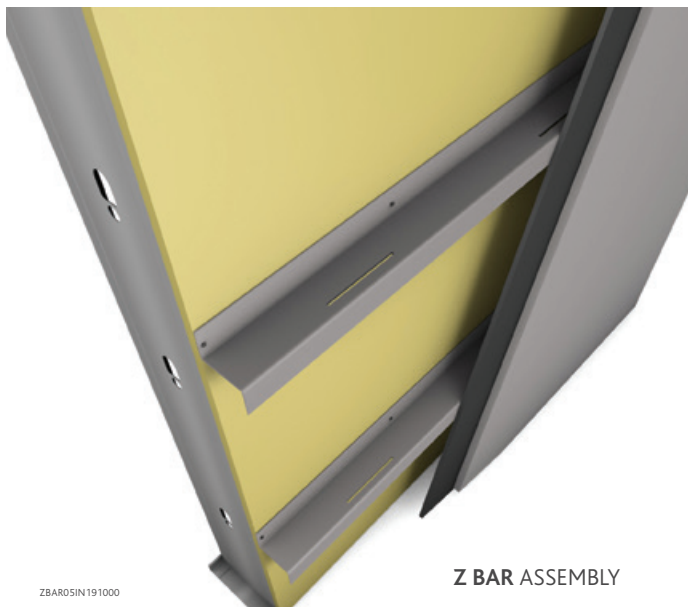
BAILEY PERFORATED Z BAR

Bailey Metal Product's Perforated Z Bar is manufactured to meet all applicable Canadian Codes & Standards. Material thickness and metallic coatings conform to the requirements of ASTM A653/A653M and ASTM A1003.

Bailey's Perforated Z Bars are ideal for many construction applications such as continuous framing, cladding attachment, insulation reinforcement, slides, track and roofing. Z Bar design easily accommodates rigid insulation and flanges provide ample space for screw attachment.

Perforations are designed to allow for **ventilation, drainage and moisture evacuation.**

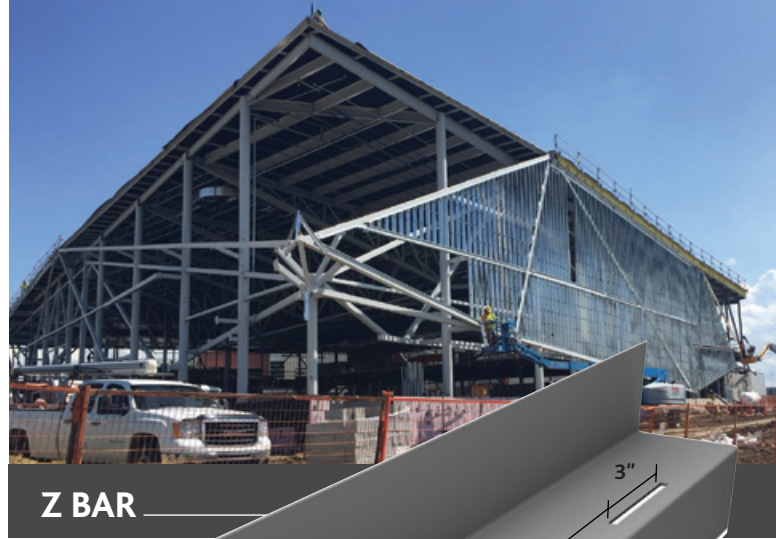
- The Z Bar is available in .033" and .043" thickness of steel
- Top and bottom flanges are 1.25" in length
- The center web (B) is available in lengths of 1 1/2", 2", 2 1/2", 3", 3 1/2", 4", 4 1/2", 5", 5 1/2", 6"
- Z Bars are available in lengths of up to 20'. (10' standard)
- Z Bars are available in G40, G60 coating. (G90 available upon special request)
- 33 ksi yield strength for .033" and .043"



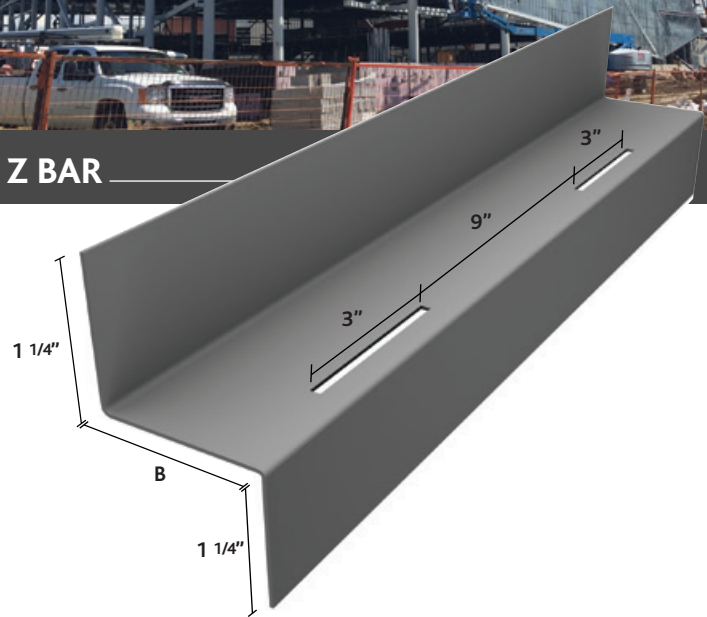
ZBAR05IN191000

Z BAR ASSEMBLY

sales@bmp-group.com | www.bmp-group.com



Z BAR



PERFORATED Z BAR

B	BAILEY Part Numbers	
	.033" Material Thickness	.043" Material Thickness
1-1/2"	ZBARPERF150-33X120	ZBARPERF150-43X120
2"	ZBARPERF200-33X120	ZBARPERF200-43X120
2-1/2"	ZBARPERF250-33X120	ZBARPERF250-43X120
3"	ZBARPERF300-33X120	ZBARPERF300-43X120
3-1/2"	ZBARPERF350-33X120	ZBARPERF350-43X120
4"	ZBARPERF400-33X120	ZBARPERF400-43X120
4-1/2"	ZBARPERF450-33X120	ZBARPERF450-43X120
5"	ZBARPERF500-33X120	ZBARPERF500-43X120
5-1/2"	ZBARPERF550-33X120	ZBARPERF550-43X120
6"	ZBARPERF600-33X120	ZBARPERF600-43X120

*Custom sized lengths available upon request



THE STRENGTH WITHIN

MONTREAL

800-263-3455

commande@bmp-group.com

TORONTO

800-668-2154

tor-orders@bmp-group.com

CALGARY

800-665-2013

cal-orders@bmp-group.com

EDMONTON

800-563-1751

edm-orders@bmp-group.com

VANCOUVER

800-818-2666

van-orders@bmp-group.com

