



THE STRENGTH WITHIN

LIGHTWEIGHT STEEL FRAMING DETAILS JOISTS FOR FLOORS & ROOFS



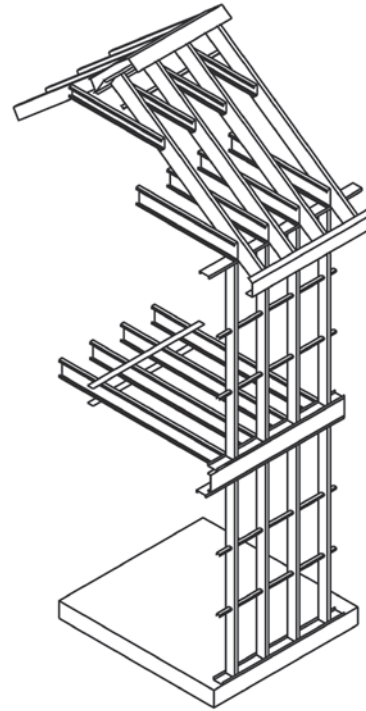
MONTREAL • TORONTO • CALGARY • EDMONTON • VANCOUVER

BAILEY[®]
METAL PRODUCTS LIMITED



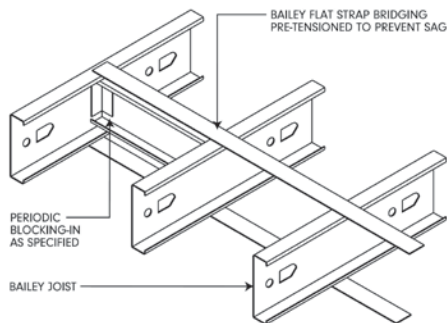
BAILEY[®]
METAL PRODUCTS LIMITED

Bailey Lightweight Steel Framing (LSF) Joists offer a wide range of span and load capabilities for commercial and residential floor systems and mezzanines. LSF Ceiling Joists and Rafter members can also be utilized for pitched, mansard, and flat roofs. The use of Bailey LSF Joist and Rafter members will provide support for interior drywall ceilings where long clear spans are required.

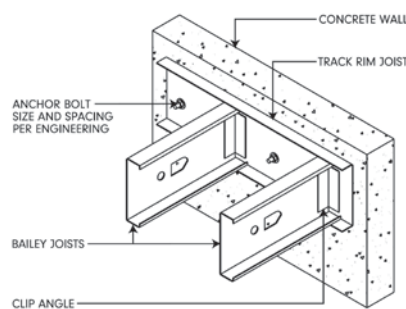


FLOOR JOISTS

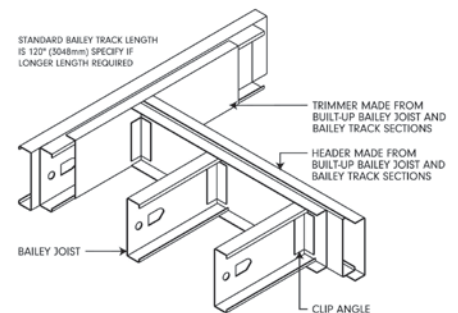
FLOOR JOIST WITH BRIDGING AND BLOCKING



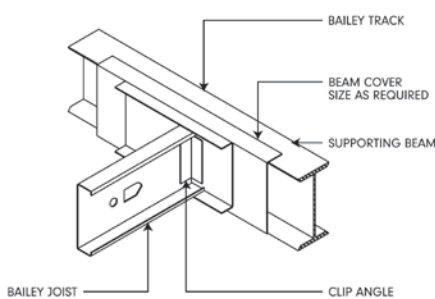
FLOOR MOUNTED INSIDE CONCRETE WALL



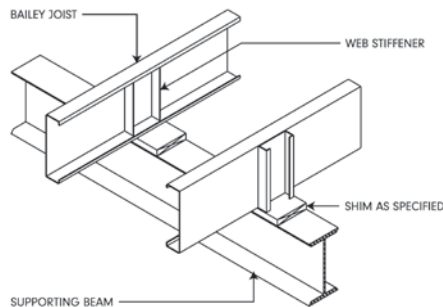
OPENING IN FLOOR



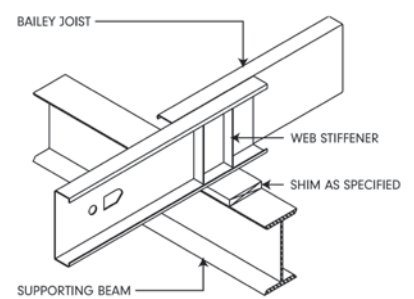
FLUSH CONNECTION TO SUPPORTING BEAM



JOISTS CONTINUOUS OVER SUPPORTING BEAM

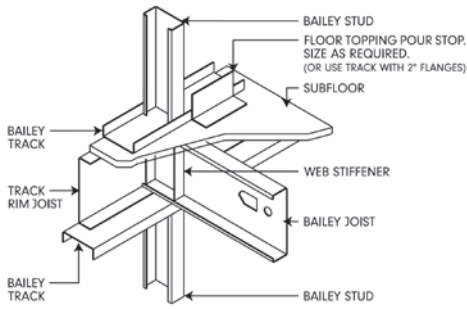


JOISTS OVERLAPPING SUPPORTING BEAM

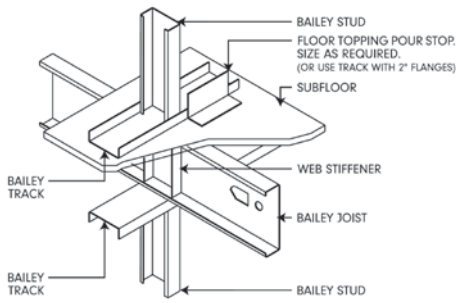


FLOOR JOISTS

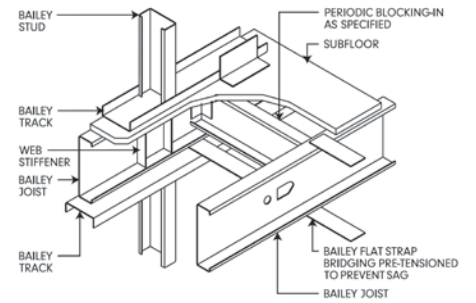
JOIST PERPENDICULAR TO PERIMETER



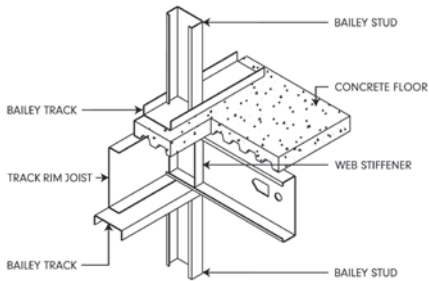
JOIST ABOVE LOADBEARING WALL



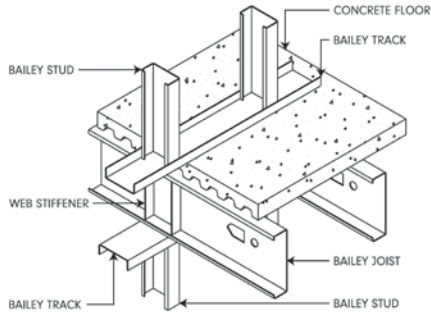
JOIST PARALLEL TO PERIMETER



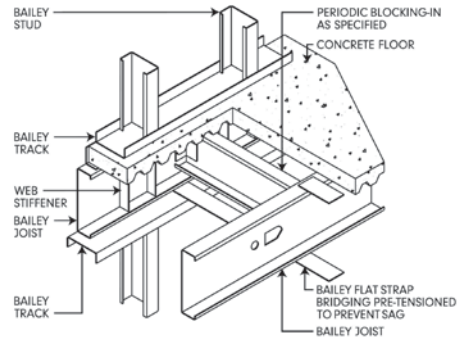
JOIST PERPENDICULAR TO PERIMETER



JOIST ABOVE LOADBEARING WALL

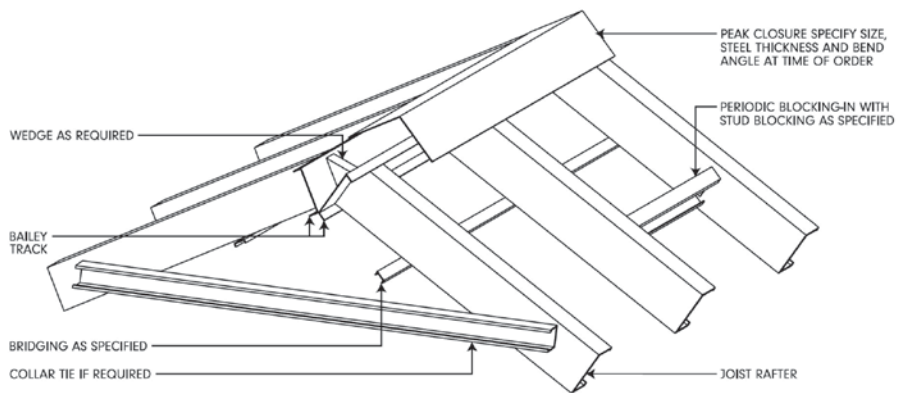


JOIST PARALLEL TO PERIMETER

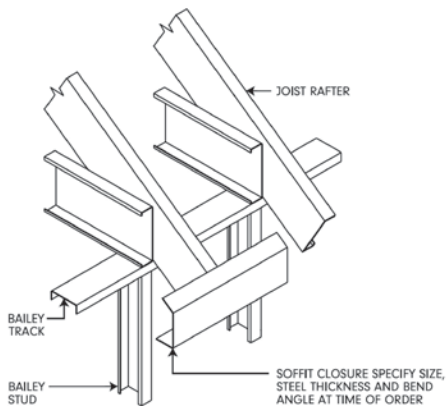


ROOF JOISTS

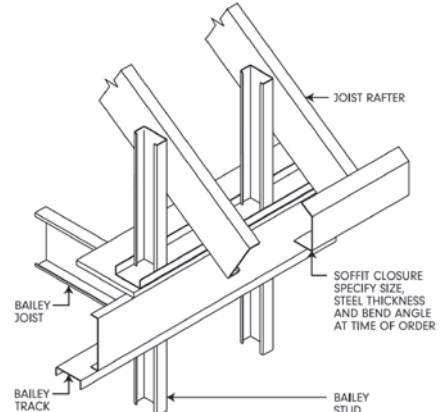
RAFTER AT PEAK



RAFTER AT PERIMETER WALL



RAFTER AT PERIMETER WALL

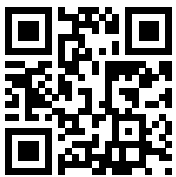


The material presented in this document has been prepared for the general information of the reader. While the material is believed to be technically correct and in accordance with recognized good practice, it should not be used without first securing competent advice with respect to its suitability for any specific application. Bailey Metal Products Limited does not warrant or assume liability for the suitability of the material for any general or particular use.



BAILEY[®]

METAL PRODUCTS LIMITED



LIGHTWEIGHT STEEL FRAMING DETAILS JOISTS FOR FLOORS & ROOFS

sales@bmp-group.com • www.bmp-group.com



JFR07IN16-500

MONTREAL

525 Avenue Edward VII
Dorval, QC H9P 1E7
Tel. (514) 735-3455
800-263-3455
Fax. (514) 735-5052

TORONTO

1 Caldari Road
Concord, ON L4K 3Z9
Tel. (905) 738-9267
800-668-2154
Fax. (905) 738-5712

CALGARY

3924 27th Street NE
Calgary, AB T1Y 5K7
Tel. (403) 248-3536
800-665-2013
Fax. (403) 248-0288

EDMONTON

5710 Roper Road NW
Edmonton, AB T6B 3G7
Tel. (780) 462-5757
800-563-1751
Fax. (780) 450-3378

VANCOUVER

7715 Anvil Way
Surrey, BC V3W 6A2
Tel. (604) 590-5100
800-818-2666
Fax. (604) 590-5105