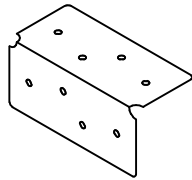
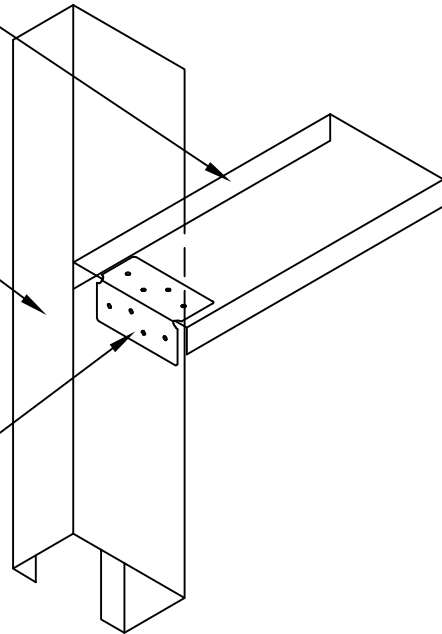


SILL TRACK.
MEMBER SIZE AS REQ'D
PER DESIGN.

RED HEADER PRO™ JAMB STUDS.
MEMBER SIZE AS REQ'D
PER DESIGN.



Bailey Universal Bridging Clip (UBC), $F_y=50\text{ksi}$
 $1/2''$ LESS THAN STUD WIDTH.
USE: (3)#10-16 SCREWS ON
EACH LEG AS SHOWN ABOVE.
USE PRE-PUNCHED HOLES
FOR SCREW ATTACHMENT.



BAILEY®
METAL PRODUCTS LIMITED

SILL TRACK CONNECTION

SILL TRACK ATTACHED USING Bailey UBC

This detail library is intended to provide general framing details only and does not replace the judgments and designs of a qualified architect and/or engineer. The details are provided as a starting tool to assist the user in creating and detailing cold-formed steel framing construction details. Each detail including accompanying text must be thoroughly evaluated and approved by a qualified architect or engineer.
© Copyright 2017 ClarkDietrich Building Systems For more information visit www.bmp-group.com or call (905) 738-9267