

STC VALUES

INTERIOR STEEL STUD SYSTEMS for Drywall Separation Wall

1 BAILEY 3 5/8 PLATINUM™ PLUS STUD

	1 + 1	1 + 2	2 + 2
16" spacing	46 *(3508.3)	51 *(3508.4)	–
24" spacing	48 *(3508.7)	53 *(3508.8)	–

2 BAILEY 3 5/8 PLATINUM™ PLUS HEMMED STUD

	1 + 1	1 + 2	2 + 2
16" spacing	48 *(3508.1)	53 *(3508.2)	–
24" spacing	47 *(3508.5)	52 *(3508.6)	–

3 N.B.C.C. 3 5/8 STUD TABLE A-9.10.3.1

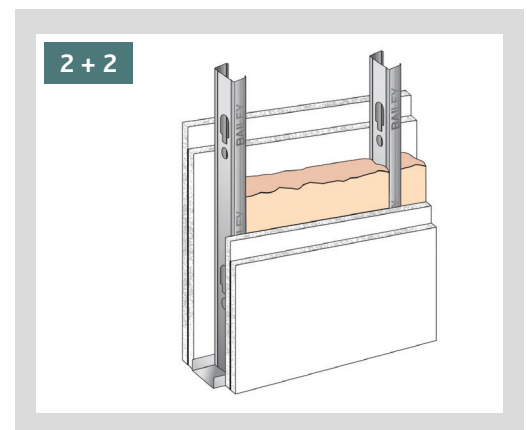
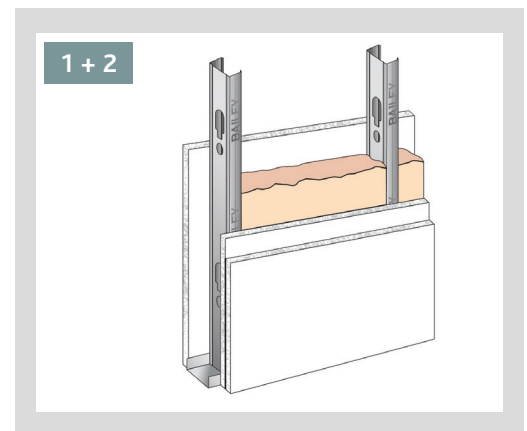
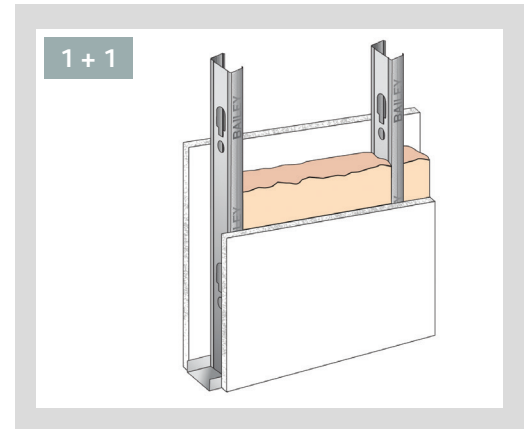
	1 + 1	1 + 2	2 + 2
16" spacing	47 (S4B)	52 (S5B)	55 (S6B)
24" spacing	48 (S4A)	53 (S5A)	56 (S6A)

Gypsum Board 5/8" Type X

Tested at: National Research Council of Canada NRCC. ① ②

Values reported by National Building Code of Canada ③

*() indicates specific test report #s.



THE STRENGTH WITHIN



sales@bmp-group.com | www.bmp-group.com

BAILEY[®]
METAL PRODUCTS LIMITED

MONTREAL
800-263-3455

TORONTO
800-668-2154

CALGARY
800-665-2013

EDMONTON
800-563-1751

VANCOUVER
800-818-2666

