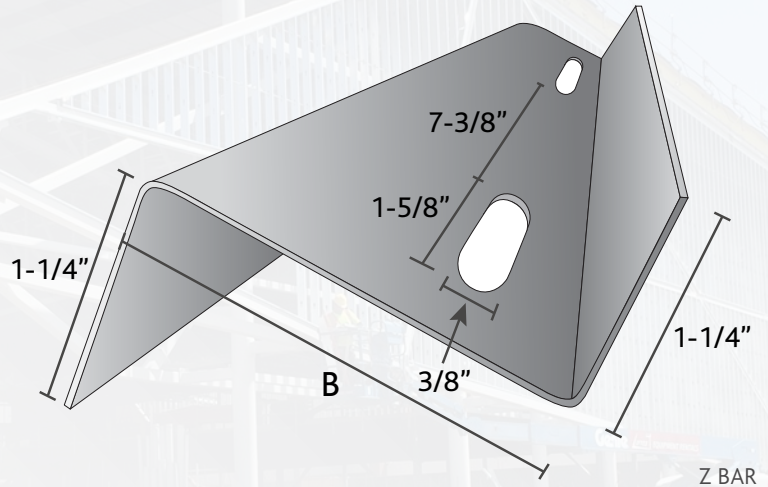




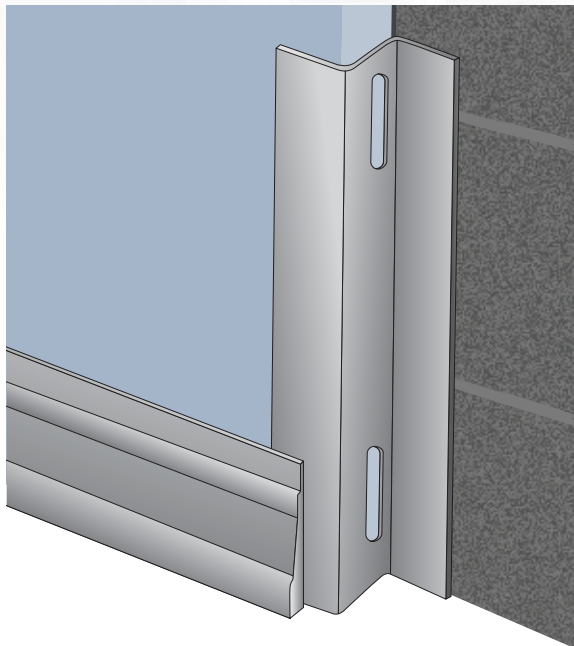
PERFORATED Z BAR

The Z Bar distributed by Bailey Metal Products Limited is manufactured to meet all applicable Canadian Codes & Standards. Material thickness and metallic coatings conform to the requirements of ASTM A653/A653M and ASTM A1003.

- The Z Bar is available in two thicknesses of steel: 0.034" and 0.044". It is stocked in lengths of 12'.
- The Z Bar is produced to hold in place different thicknesses of rigid insulation. It is perforated (except the 1" profile) to assist in the evacuation of water. It is manufactured with flanges of 1-1/4".
- The oblong perforations are 1-5/8" long by 3/8" wide, spaced at every 7-3/8".
- The Z Bars can be used for both interior and exterior applications.



The 0.034" and the 0.044" are of (33ksi) steel, G60 coating. Galvanizing G90 (Z275) is available on special order.



Z BAR ASSEMBLY

PERFORATED Z BAR

B	BAILEY Part Numbers	
1"	ZBAR100-33X120	ZBAR100-43X120
1-1/2"	ZBAR150-33X120	ZBAR150-43X120
2"	ZBAR200-33X120	ZBAR200-43X120
2-1/2"	ZBAR250-33X120	ZBAR250-43X120
3"	ZBAR300-33X120	ZBAR300-43X120
3-1/2"	ZBAR350-33X120	ZBAR350-43X120
4"	ZBAR400-33X120	ZBAR400-43X120
4-1/2"	ZBAR450-33X120	ZBAR450-43X120
5"	ZBAR500-33X120	ZBAR500-43X120
6"	ZBAR600-33X120	ZBAR600-43X120

*Custom sized lengths available upon request



PZB111N161000

sales@bmp-group.com | www.bmp-group.com

BAILEY[®]
METAL PRODUCTS LIMITED

MONTREAL

800-263-3455

commande@bmp-group.com

TORONTO

800-668-2154

tor-orders@bmp-group.com

CALGARY

800-665-2013

cal-orders@bmp-group.com

EDMONTON

800-563-1751

edm-orders@bmp-group.com

VANCOUVER

800-818-2666

van-orders@bmp-group.com