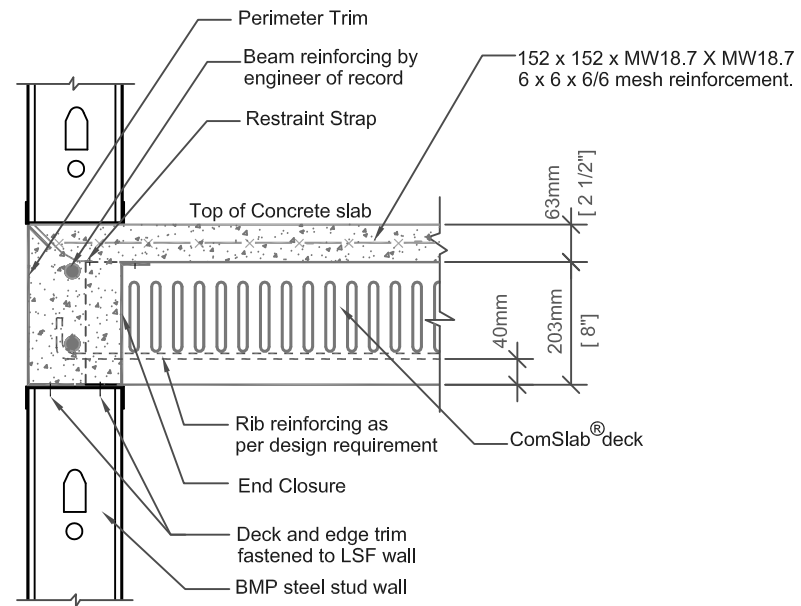
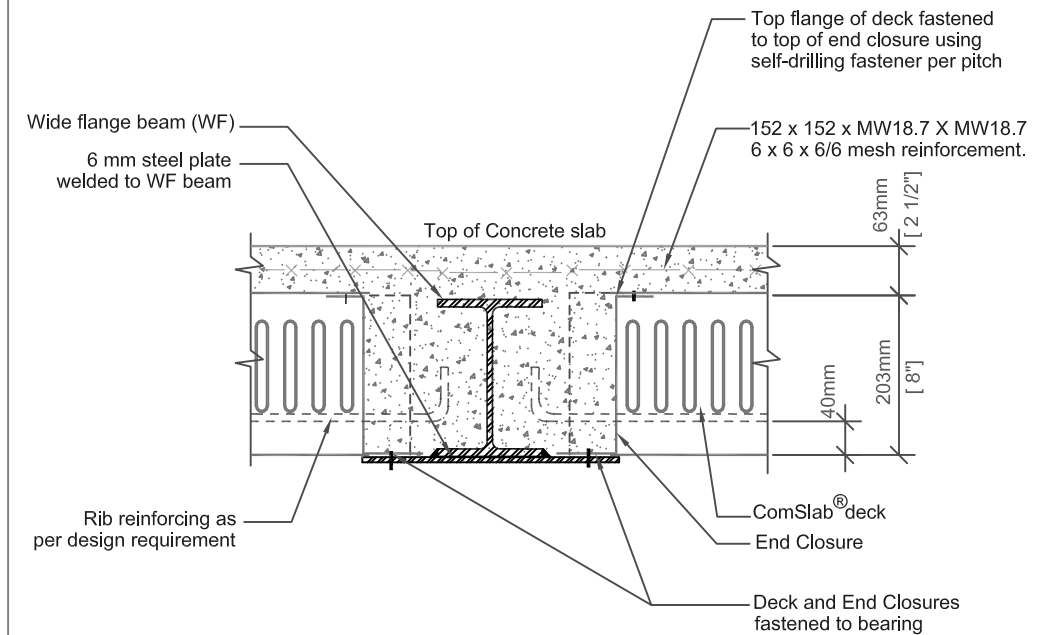


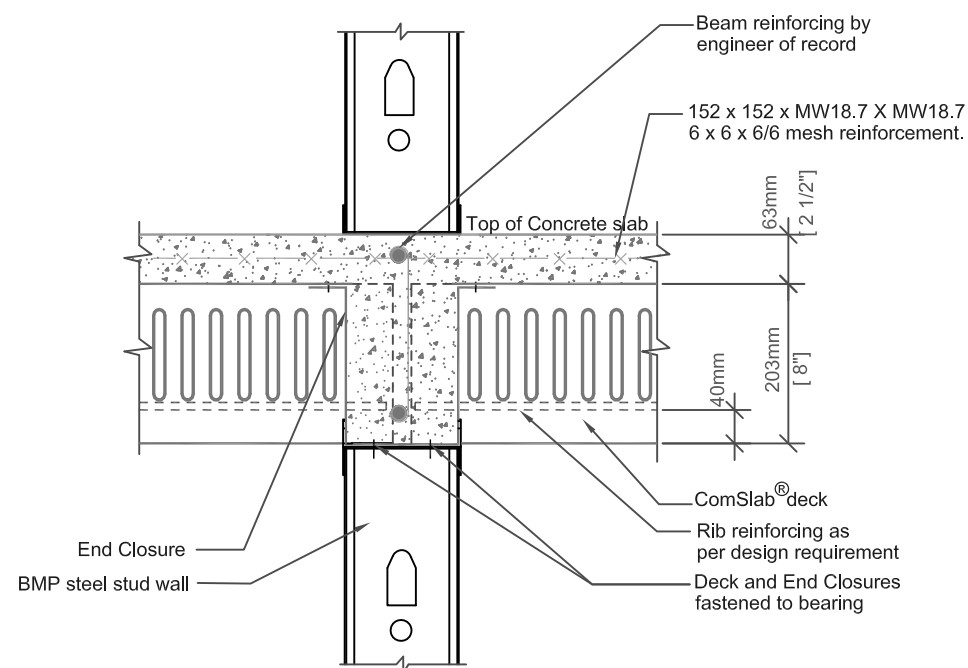
1 PERIMETER BEARING DETAIL  
SCALE: NTS



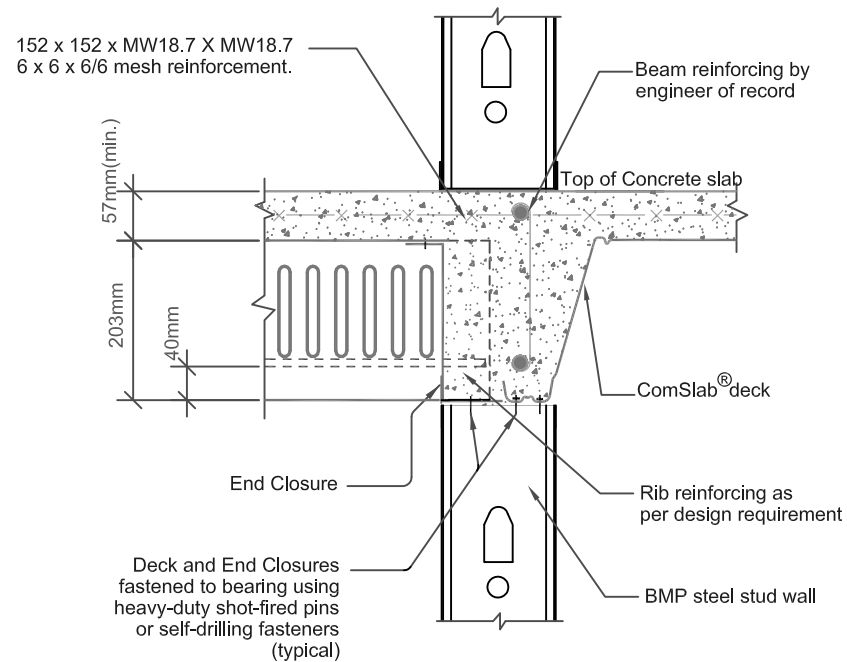
2 END BEARING DETAIL  
SCALE: NTS



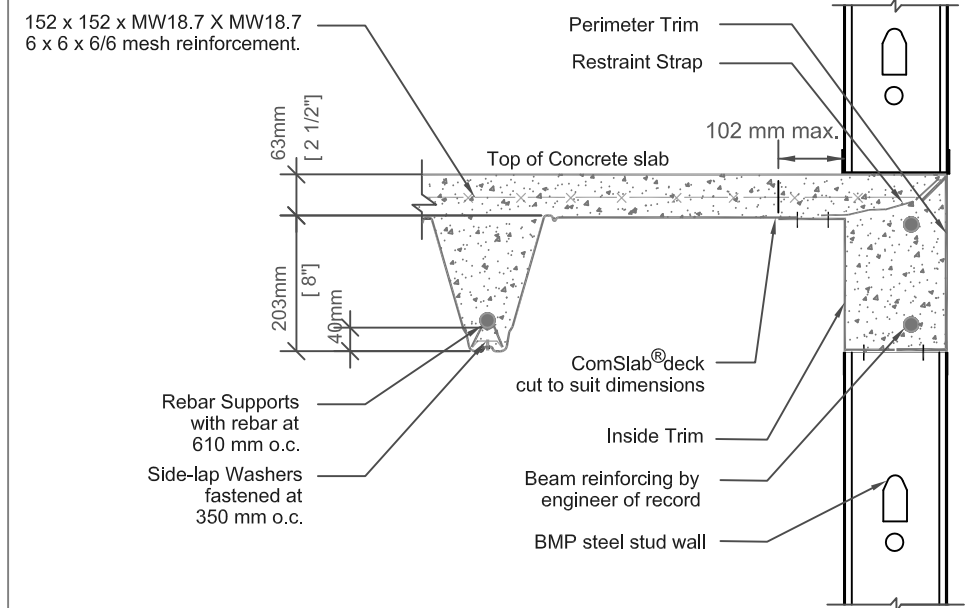
3 WIDE FLANGE BEAM DETAIL  
SCALE: NTS



4 WALL CONNECTION DETAIL  
SCALE: NTS



5 PANEL DIRECTION CHANGE DETAIL  
SCALE: NTS



6 SIDE PERIMETER DETAIL  
SCALE: NTS



ONE CALDARI ROAD  
CONCORD, ONTARIO  
L4K 3Z9

TEL: 905-738-9267  
FAX: 905-738-9408  
EMAIL: www.bmp-group.com

THIS DRAWING IS PROPERTY OF BAILEY METAL PRODUCTS LTD., AND MAY NOT BE REPRODUCED, COPIED, MODIFIED OR LOANED WITHOUT WRITTEN PERMISSION.

ALL DESIGNS, CONCEPTS OR OTHER INFORMATION SHOWN ON THIS DRAWING ARE FOR USE ON THIS PROJECT ONLY AND SHALL NOT BE USED OTHERWISE WITHOUT WRITTEN PERMISSION.

PROJECT:

TYPICAL DETAILS

TITLE:

BAILEY COMSLAB/ COLD FORMED STEEL

PROJECT NO:

DATE:

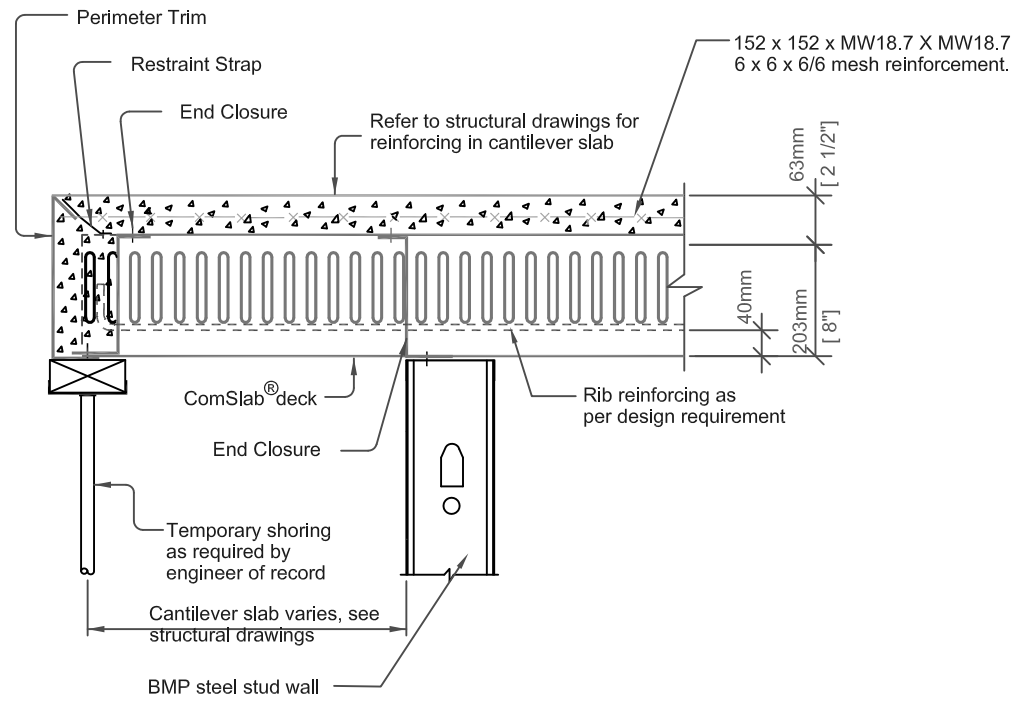
DRAWN BY: M.A.

CHECK BY: A.A.

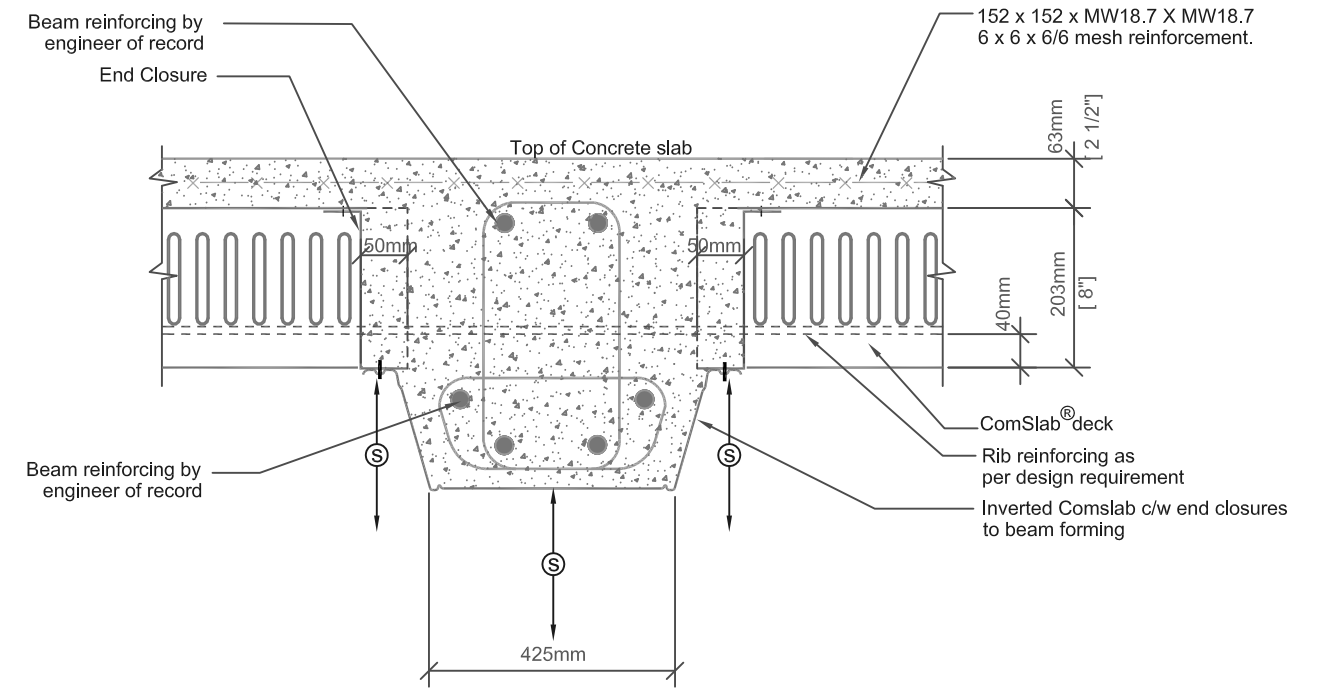
SCALE: NOT TO SCALE

DRAWING NO:

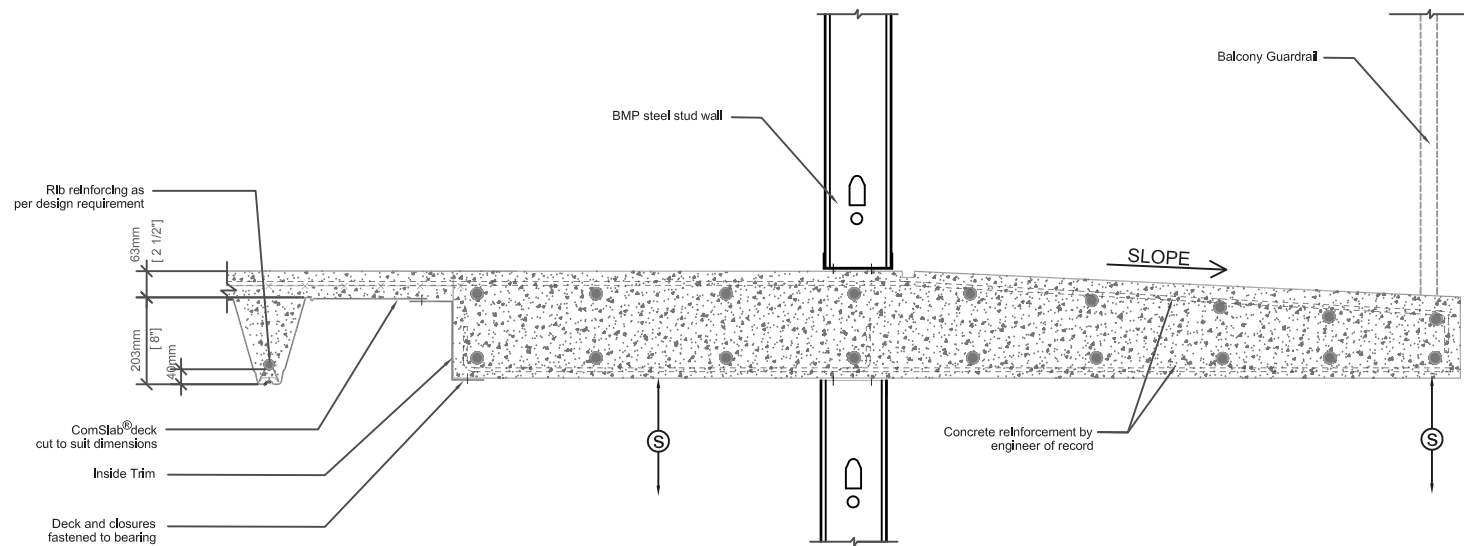
S.1.0



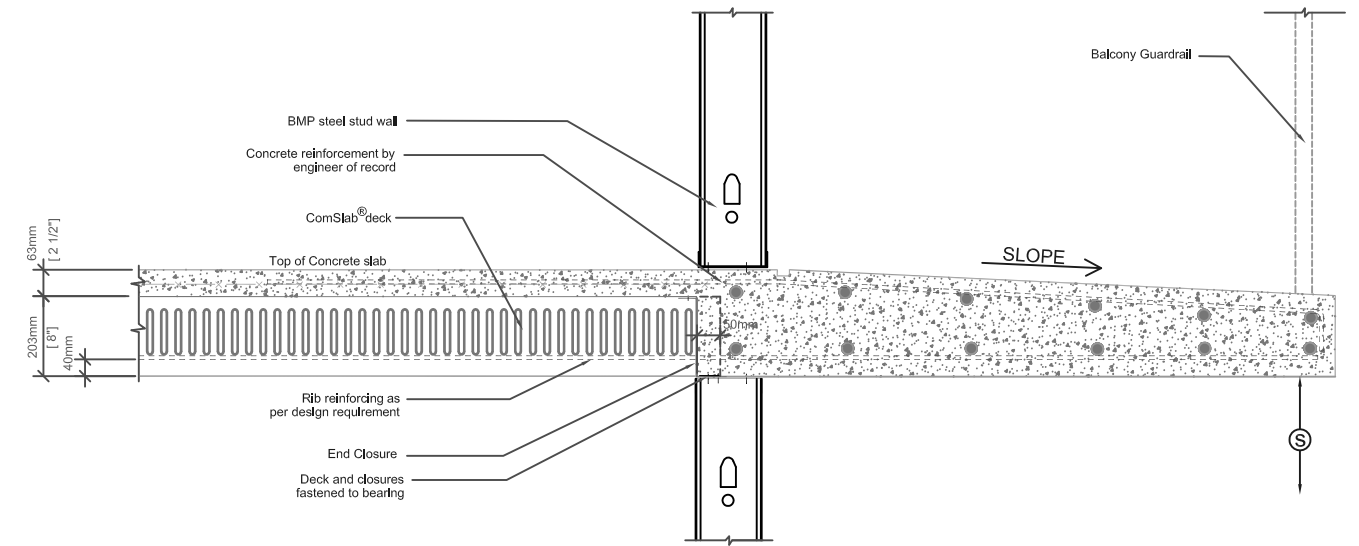
1 END CANTILEVER DETAIL  
SCALE: NTS



2 INVERTED COMSLAB - BEARING BEAM DETAIL  
SCALE: NTS



3 TYPICAL COMSLAB BALCONY DETAIL  
SCALE: NTS



4 TYPICAL COMSLAB BALCONY DETAIL  
SCALE: NTS



ONE CALDARI ROAD  
CONCORD, ONTARIO  
L4K 3Z9  
TEL: 905-738-9267  
FAX: 905-738-9408  
EMAIL: www.bmp-group.com

THIS DRAWING IS PROPERTY OF BAILEY METAL PRODUCTS LTD., AND MAY NOT BE REPRODUCED, COPIED, MODIFIED OR LOANED WITHOUT WRITTEN PERMISSION.  
ALL DESIGNS, CONCEPTS OR OTHER INFORMATION SHOWN ON THIS DRAWING ARE FOR USE ON THIS PROJECT ONLY AND SHALL NOT BE USED OTHERWISE WITHOUT WRITTEN PERMISSION.

PROJECT:  
TYPICAL DETAILS

TITLE:  
BAILEY COMSLAB/COLD FORMED  
AND  
BAILEY COMSLAB BALCONY

PROJECT NO:	DRAWING NO:
DATE:	S.1.1
DRAWN BY: M.A.	
CHECK BY: A.A.	
SCALE: NOT TO SCALE	