

# BAILEY Z BAR

Bailey Metal Product's Z Bar is manufactured to meet all applicable Canadian Codes & Standards. Material thickness and metallic coatings conform to the requirements of ASTM A653/A653M and ASTM A1003.

Bailey's Z Bars are ideal for many construction applications such as continuous framing, insulation reinforcement, slides, track and roofing.

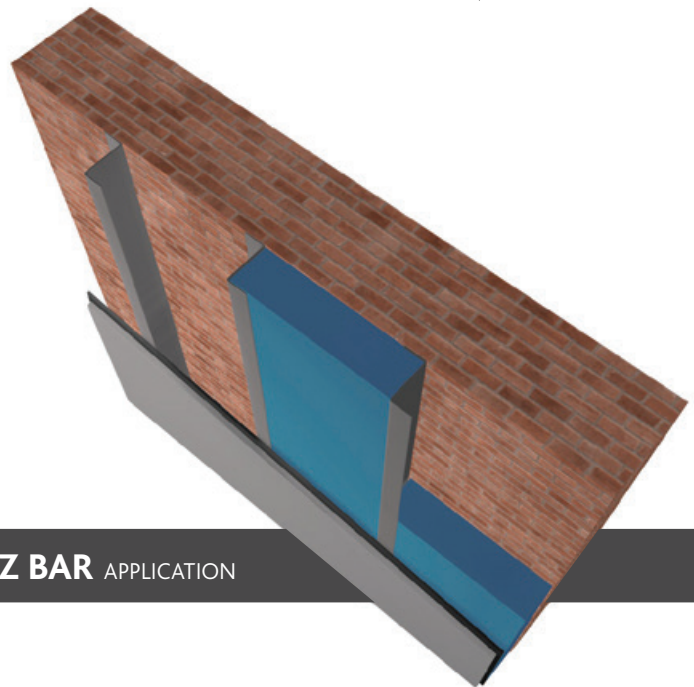
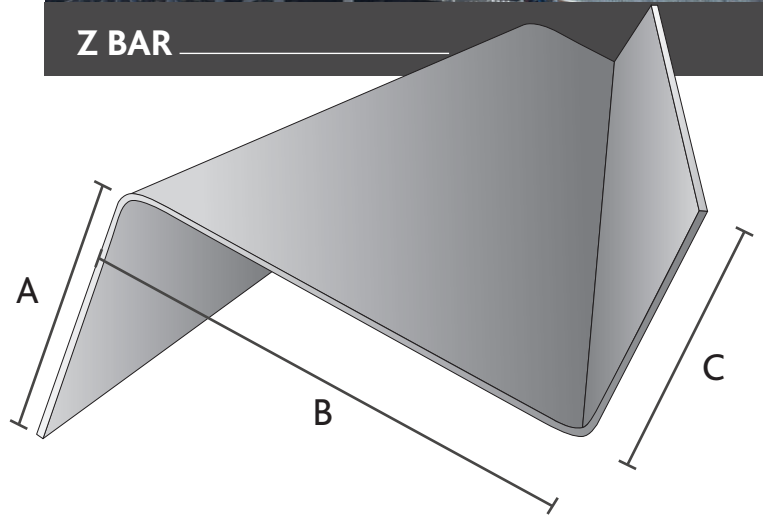
Z Bar design easily accommodates rigid insulation and flanges provide ample space for screw attachment.

## Z BAR

- The Z Bar is available in .018" , .033" , .043" , .054" , .068" thickness of steel
- Top (A) and bottom (C) flanges are available in lengths of 1" , 1 ¼" , 1 ½" , 1 ¾" , 2"
- The center web (B) is available in lengths of 2" , 2 ½" , 3" , 3 ½" , 4" , 4 ½" , 5" , 5 ½" , 6"
- Z Bars are available in lengths of up to 20'. (10' standard)
- Z Bars are available in G40, G60 coating. (G90 available upon special request)
- 33 ksi yield strength for .033" and .043"
- 50 ksi yield strength will be specified for .054" and .068"
- **Custom lengths and sizes available on request**



Z BAR



Z BAR APPLICATION



ZBAR05IN191000

[sales@bmp-group.com](mailto:sales@bmp-group.com) | [www.bmp-group.com](http://www.bmp-group.com)

**BAILEY**<sup>®</sup>  
METAL PRODUCTS LIMITED

**MONTREAL**  
800-263-3455

[commande@bmp-group.com](mailto:commande@bmp-group.com)

**TORONTO**  
800-668-2154

[tor-orders@bmp-group.com](mailto:tor-orders@bmp-group.com)

**CALGARY**  
800-665-2013

[cal-orders@bmp-group.com](mailto:cal-orders@bmp-group.com)

**EDMONTON**  
800-563-1751

[edm-orders@bmp-group.com](mailto:edm-orders@bmp-group.com)

**VANCOUVER**  
800-818-2666

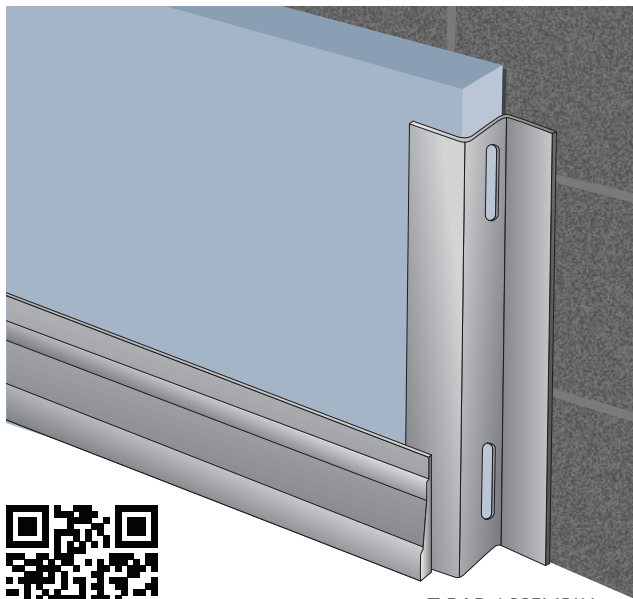
[van-orders@bmp-group.com](mailto:van-orders@bmp-group.com)

# BAILEY PERFORATED Z BAR

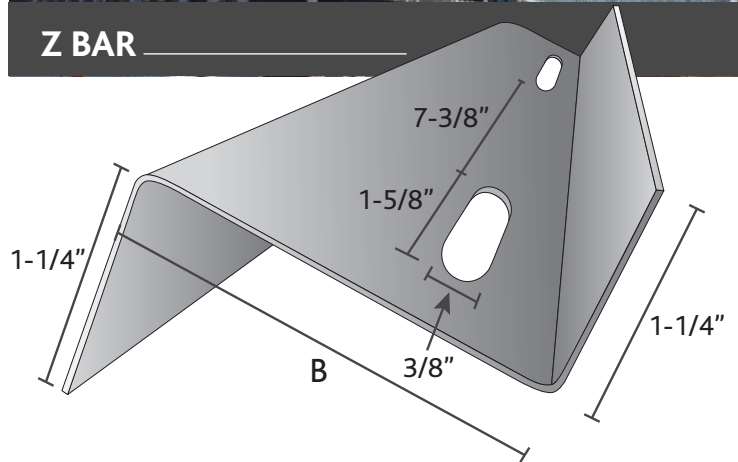
The Z Bar distributed by Bailey Metal Products Limited is manufactured to meet all applicable Canadian Codes & Standards. Material thickness and metallic coatings conform to the requirements of ASTM A653/A653M and ASTM A1003.

- The Z Bar is available in two thicknesses of steel: 0.034" and 0.044". It is stocked in lengths of 10'.
- The Z Bar is produced to hold in place different thicknesses of rigid insulation. It is perforated (except the 1" profile) to assist in the evacuation of water. It is manufactured with flanges of 1-1/4".
- The oblong perforations are 1-5/8" long by 3/8" wide, spaced at every 7-3/8".
- The Z Bars can be used for both interior and exterior applications.

The 0.034" and the 0.044" are of (33ksi) steel, G60 coating. Galvanizing G90 (Z275) is available on special order.



ZBAR05IN191000



## PERFORATED Z BAR

B	BAILEY Part Numbers	
1"	ZBAR100-33X120	ZBAR100-43X120
1-1/2"	ZBAR150-33X120	ZBAR150-43X120
2"	ZBAR200-33X120	ZBAR200-43X120
2-1/2"	ZBAR250-33X120	ZBAR250-43X120
3"	ZBAR300-33X120	ZBAR300-43X120
3-1/2"	ZBAR350-33X120	ZBAR350-43X120
4"	ZBAR400-33X120	ZBAR400-43X120
4-1/2"	ZBAR450-33X120	ZBAR450-43X120
5"	ZBAR500-33X120	ZBAR500-43X120
6"	ZBAR600-33X120	ZBAR600-43X120

\*Custom sized lengths available upon request



sales@bmp-group.com | www.bmp-group.com

**MONTREAL**

800-263-3455

commande@bmp-group.com

**TORONTO**

800-668-2154

tor-orders@bmp-group.com

**CALGARY**

800-665-2013

cal-orders@bmp-group.com

**EDMONTON**

800-563-1751

edm-orders@bmp-group.com

**VANCOUVER**

800-818-2666

van-orders@bmp-group.com

