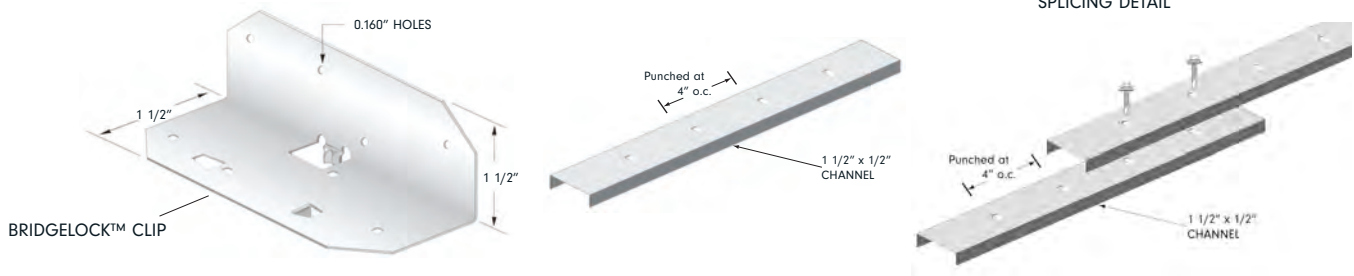




BAILEY BRIDGELOCK™ BRIDGING SYSTEM (BL 365/400, BL 600, BL 800)

Ideal in uniform wall applications for both wind and axial load bearing walls, Bridglock's unique clip design and pre-punched channel combine to deliver superior performance and workability.

BRIDGELOCK™ COMPONENTS



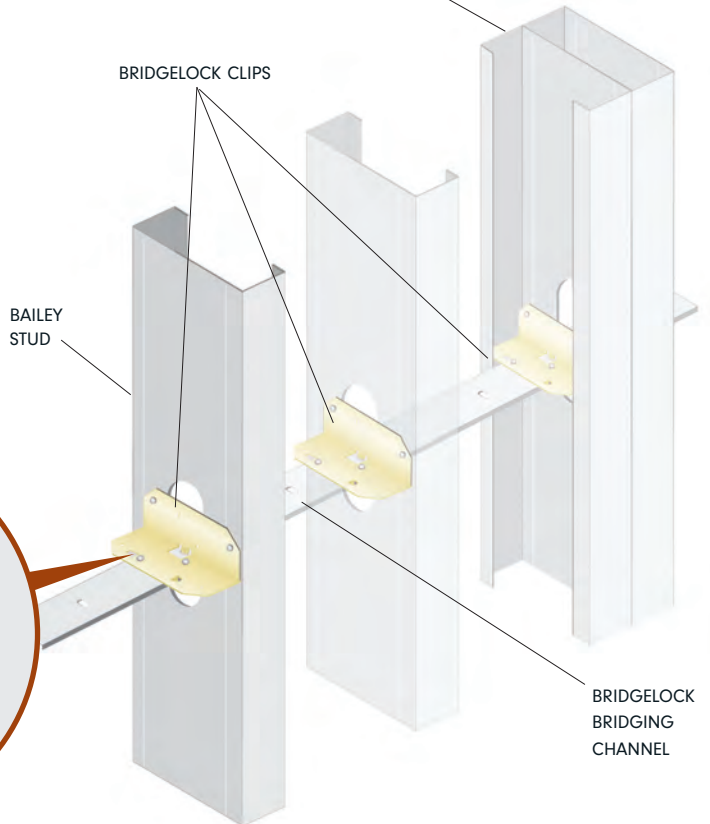
BAILEY BRIDGELOCK CLIP & CHANNEL PROPERTIES

Product Identification	Base Steel Thickness			Dimensions		Weight*	Mass*	Yield Strength** ksi	Coating**	Packaging Pcs/Ctn
	Mils	Design		in.	mm					
		in.	mm							
BL 365/400	54	0.0566	1.438	1.5x3.25x1.5	38.1x82.6x38.1	0.131	0.0593	50	G60	50
BL 600	54	0.0566	1.438	1.5x5.5x1.5	38.1x139.7x38.1	0.234	0.106	50	G60	50
BL 800	54	0.0566	1.438	1.5x7.5x1.5	38.1x190.5x38.1	0.326	0.148	50	G60	50
BL CHANNEL	43	0.0451	1.146	1.5x0.5x144	38.1x12.7x3657.6	4.62	2.10	33	G60	PCE

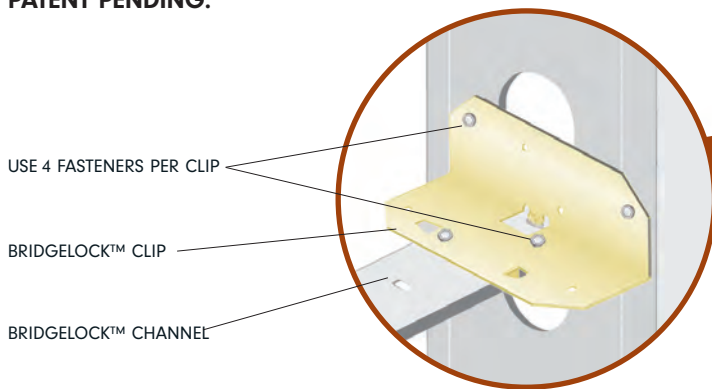
* Weight is based on design steel thickness of net section. ** Meets ASTM A653: Specification for Steel Sheet

TYPICAL JAMB / "OFF MODULE"

Product Identification	Stud Size	Clip Length
BL 365/400	3 5/8"	3 1/4"
BL 600	6"	5 1/2"
BL 800	8"	7 1/2"



**BAILEY BRIDGELOCK™ BRIDGING SYSTEM
PATENT PENDING.**





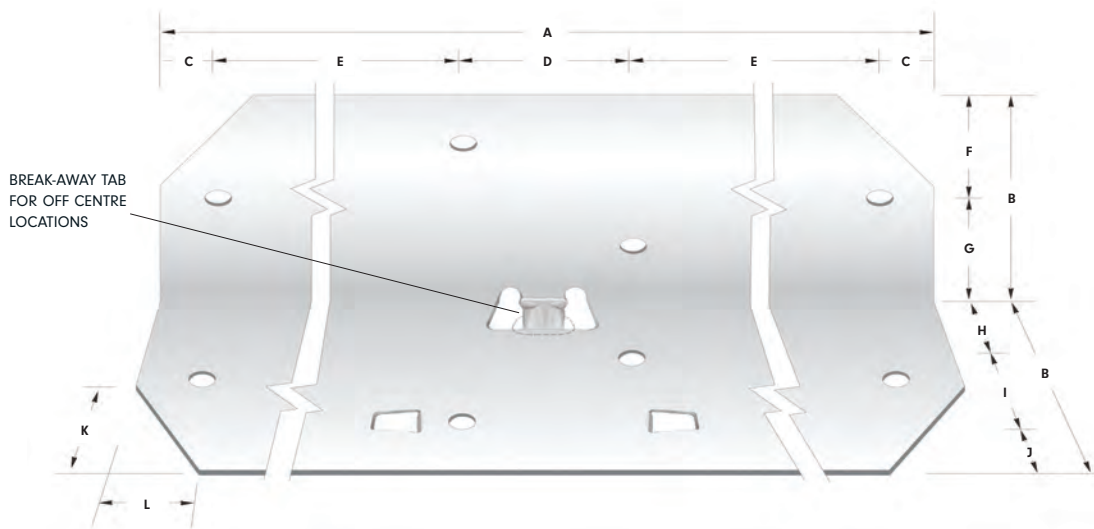
BAILEY BRIDGELock™ BRIDGING SYSTEM (BL 365/400, BL 600, BL 800)

FEATURES & BENEFITS

- ➔ Channel location holes guarantees stud spacing tolerances as outlined in ASTM C1007, and additionally facilitates splicing connections
- ➔ Positioning tabs on the underside of the clips locks onto the channel guaranteeing precise fastening as well as ensuring:
 - ✓ Studs are positioned at 90° to track member
 - ✓ Clip does not interfere with sheathing plane
 - ✓ Sheathing edges will always align on stud centres
 - ✓ Screw pilot holes always line up onto the bridging channel and stud
 - ✓ Eliminates need for clamping
- ➔ The clip's tear-away centre tab easily allows for off module stud placement
- ➔ Angled corners make it easy to rotate the clip into position and allows for installation to either inside or outside of the stud
- ➔ Easy, fast and accurate stud engagement with #8 or #10 screws in pre-punched holes saves time
- ➔ Adaptable – individual studs are easily unclipped and relocated
- ➔ Economical – cost competitive with standard bridging components
- ➔ Familiar componentry and installation ensures applicators are up to speed quickly

BRIDGELock™ CLIP DIMENSIONS (in.)

Product identification	A	B	C	D	E	F	G	H	I	J	K	L
BL 365/400	3.25	1.5	0.4375	1.0	0.6875	0.75	0.75	0.5	0.625	0.375	0.75	0.5625
BL 600	5.5	1.5	0.4375	1.0	1.8125	0.75	0.75	0.5	0.625	0.375	0.75	0.5625
BL 800	7.5	1.5	0.4375	1.0	2.8125	0.75	0.75	0.5	0.625	0.375	0.75	0.5625



MONTREAL
 LES PRODUITS METALLIQUES BAILEY LTEE
 525 Avenue Edward VII
 Dorval QC H9P 1E7
 Tel: (514) 735 3455
 (800) 263 3455
 Fax: (514) 735 5052

TORONTO
 One Caldari Road
 Concord ON L4K 3Z9
 Tel: (905) 738 9267
 (800) 668 2154
 Fax: (905) 738 5712

CALGARY
 3924 27th Street NE
 Calgary AB T1Y 5K7
 Tel: (403) 248 3536
 (800) 665 2013
 Fax: (403) 248 0288

EDMONTON
 5710 Roper Road N.W., Suite 101
 Edmonton AB T6B 3G7
 Tel: (780) 462 5757
 (800) 563 1751
 Fax: (780) 465 3791

VANCOUVER
 7715 Anvil Way
 Surrey BC V3W 6A2
 Tel: (604) 590 5100
 (800) 818 2666
 Fax: (604) 599 5371



Bridgelock is a trademark of Bailey Metal Products Limited
 BMP - 03 - 2011

sales@bmp-group.com · www.bmp-group.com