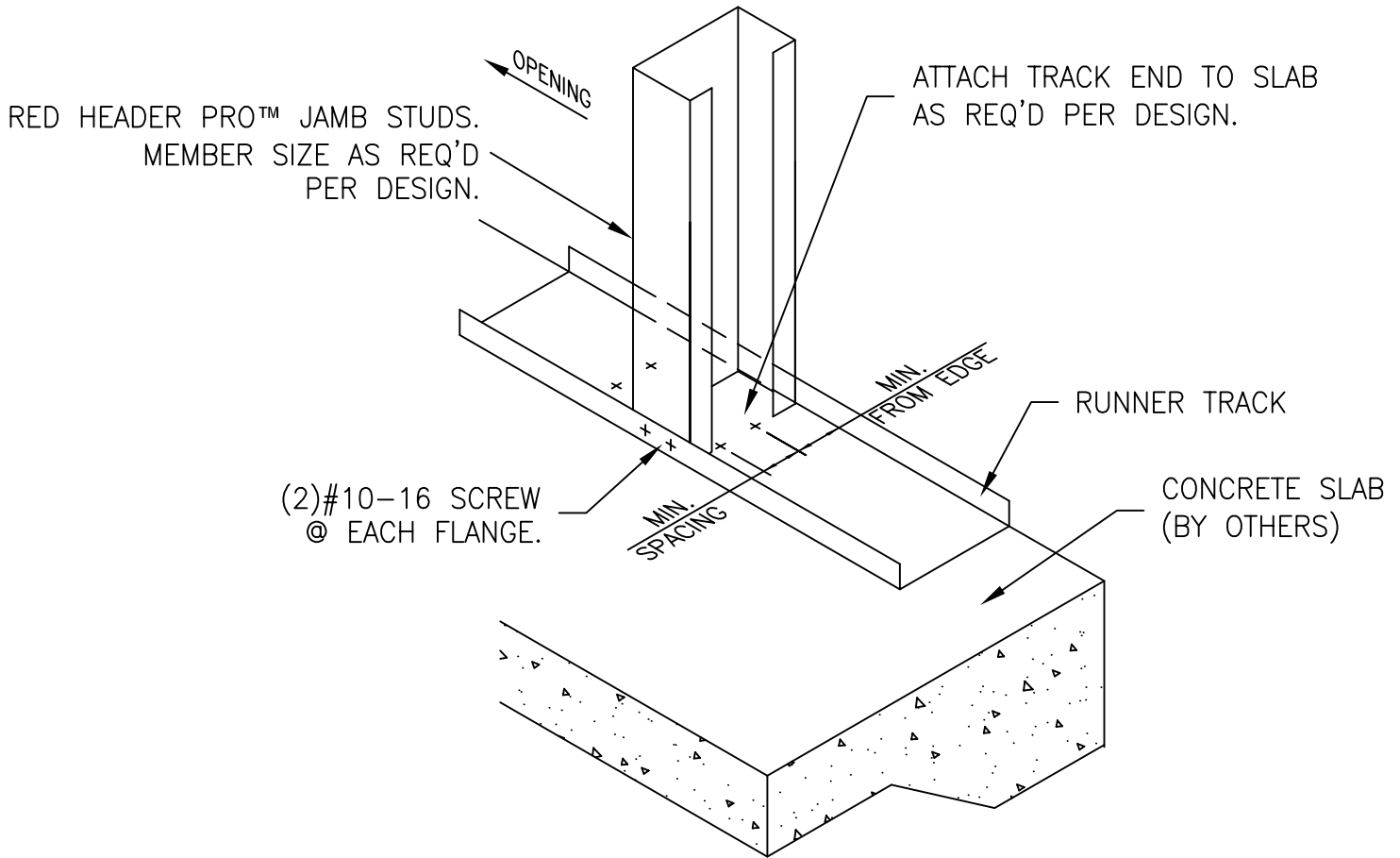


TOP VIEW



BAILEY[®]
METAL PRODUCTS LIMITED

WINDOW JAMB ANCHORAGE
RedHeader PRO JAMB ANCHORAGE TO STRUCTURE
w/(4) FASTENER'S

This detail library is intended to provide general framing details only and does not replace the judgments and designs of a qualified architect and/or engineer. The details are provided as a starting tool to assist the user in creating and detailing cold-formed steel framing construction details. Each detail including accompanying text must be thoroughly evaluated and approved by a qualified architect or engineer.
© Copyright 2017 ClarkDietrich Building Systems For more information visit www.bmp-group.com or call (905) 738-9267