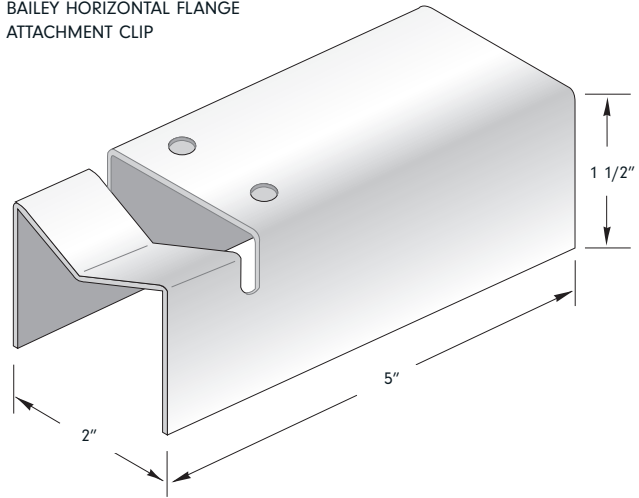


## BAILEY HORIZONTAL FLANGE ATTACHMENT CLIP (HFA CLIP)

**BAILEY HFA CLIP** is a low cost method to accommodate the vertical deflection in exterior by-pass curtain wall conditions.

- Allows for vertical movement of the structure independent from the exterior curtain wall framing
- Eliminates the need for mechanical fastening between the clip and the steel stud
- If the design requires a stand off distance, an additional steel stud should be used to eliminate the stand-off and establish the connection

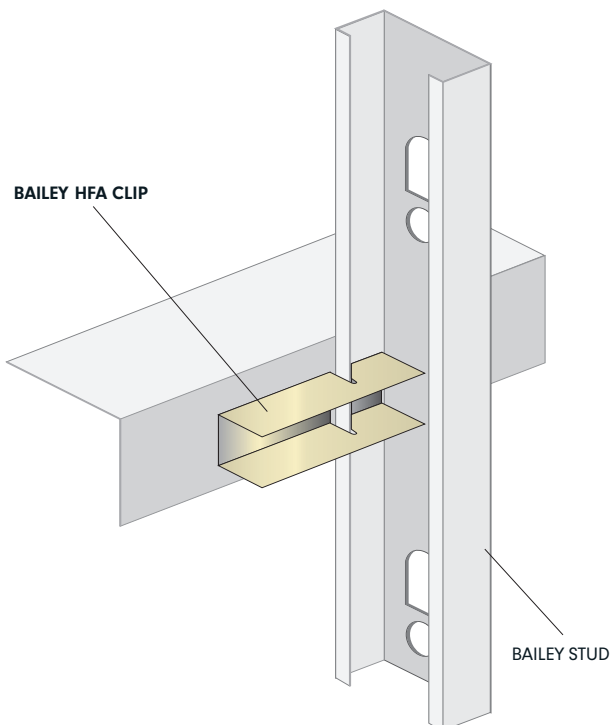
**BAILEY HFA CLIP**  
BAILEY HORIZONTAL FLANGE  
ATTACHMENT CLIP

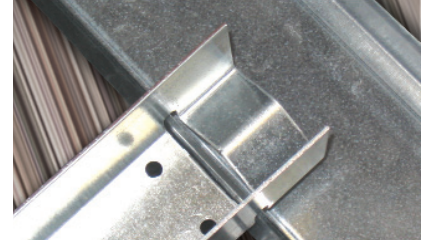
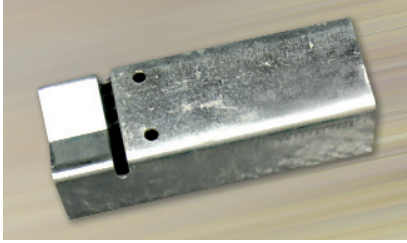


### BAILEY HFA CLIP PROPERTIES

Product Identification	Base Steel Thickness			Size		Weight*	Mass*	Yield Strength**	Coating***	Packaging Pcs/Ctn
	Mils	Design		in.	mm					
		in.	mm							
Bailey HFA Clip	68	0.0713	1.81	2x5	50.8x127	0.526	0.238	50	G90	50

\* Weight is based on design steel thickness of net section. \*\* Meets ASTM A1003: Specification for Steel Sheet, Carbon, Metallic and Nonmetallic-Coated for Cold-Formed Framing Members. \*\*\* Meets ASTM A653: Specification for Steel Sheet, Zinc-Coated (Galvanized) or Zinc Iron Alloy-Coated (Galvannealed) by the Hot-Dip Process.





## BAILEY HORIZONTAL FLANGE ATTACHMENT CLIP (HFA CLIP)

### INSTALLATION

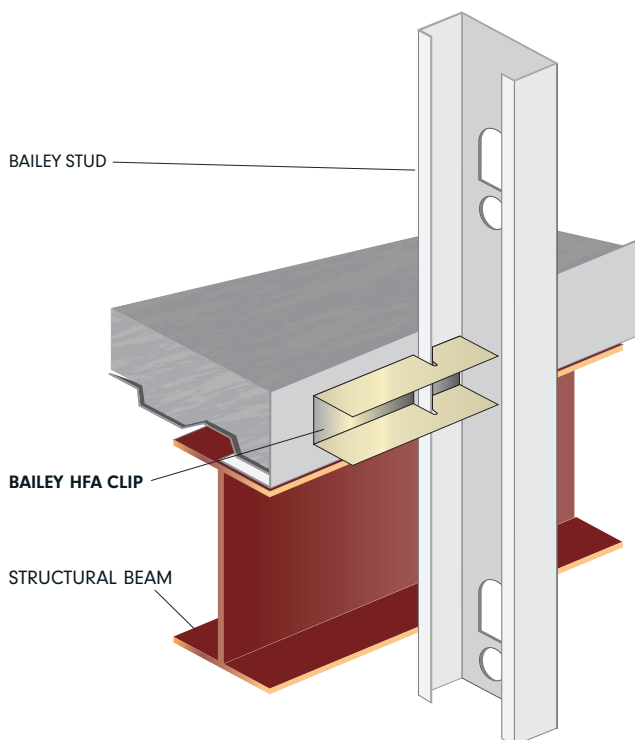
Connect the Bailey HFA Clip to the steel stud flange, then attach to the building structure adequately using suitable screws, PAF or welds as per the engineer of record, designs and shop drawings. If a stand-off situation exists between the studs and the structure, use an additional stud to bridge the distance.

### LOAD CAPACITIES

	Stud Identification	Stud Steel Properties		Service Limit Load	Ultimate Load	LSD Factored Load Resistance
		Mils	Yield Strength (ksi)	lb	lb	lb
HFA CLIP	362 S 162 - 33	33	33	409	964	459
	362 S 162 - 43	43	33	524	1272	606
	362 S 162 - 54	54	50	734	1362	649
	362 S 162 - 68	68	50	828	1448	689
	600 S 162 - 33	33	33	378	1274	607
	600 S 162 - 43	43	33	542	1343	639
	600 S 162 - 54	54	50	746	1410	671
	600 S 162 - 68	68	50	851	1450	690

### TABLE NOTES

- Clip capacity loads were obtained from tests performed under the supervision of Dr. R. M. Schuster, P. Eng.
- Above loads are based on using #12 screws and following the installation instructions
- The service limit load was recorded at 1/8" deflection according to the Research Note published by LGSEA on CFS "Testing and Establishing Design Values for Clips" by Roger LaBoube, P.E., Ph.D., February 2002
- Ultimate loads are based the maximum clip resistance
- LSD factored load resistances were derived according to section F1.1 of CSA S136-07
- Anchoring the Bailey HFA Clip to the structure is the responsibility of the engineer of record



### STAND-OFF APPLICATION

